

A classic urban lantern with LED light source. The timeless style, the range of accessory shade variants and the superior quality of the finish allow the luminaire to be integrated into a variety of urban spaces.

TECHNICAL DATA

Mounting: on pillar $\varnothing 48/60/76$ mm, with mounting brackets (to be ordered separately)

Body: high pressure die-cast aluminum

Lateral Surface Wind Exposed: 0,091 m²

Colour: black

ELECTRICAL DATA

Power supply efficiency: 93%

Power: 220-240V 50/60Hz

Includes light source: yes

Type of equipment: ED, DALI, ZHAGA D4i, NEMA

Electrical connection: max 2x1,5 mm² wire, max 4x1,5 mm² wire

OPTICAL DATA

Way of lighting: direct

Type of optic: 01, 02, 03, 04, 05, 06

ULOR / DLOR: 0% / 100%

GENERAL DATA

Lifetime (L90B10): 100 000 h

Operating temperature range: -40°C ... +50°C

Available on request: glass diffuser (opal, transparent, structured), gas connector 3/4" thread, version with increased corrosion resistance in accordance with class C5-M, extension of the warranty to 10 years

Warranty: 5 years

Application: avenues, roads, Railway stations, facades, residential, parks, parking areas, playgrounds, promenade, local roads, town roads, residential area roads

Additional information: the standard version of the luminaire is corrosion resistant according to class C3

Other remarks: the pole and boom are not part of the luminaire



Code	Type of equipment	Luminaire power [W]	Lumen luminaire [lm]	Efficacy [lm/W]	Colour temperature [K]	CRI/Ra	Operating temperature range [°C]
130723.5L042.XX0	ED	22	2600	118	4000	>70	-40 ... +50
130723.5L032.XX0	ED	22	2550	116	3000	>70	-40 ... +50
130723.5L022.XX0	ED	22	2500	114	2700	>70	-40 ... +50
130723.5L012.XX0	ED	22	2200	100	2200	>70	-40 ... +50
130723.5L082.XX0	ED	38	4800	126	4000	>70	-40 ... +50
130723.5L072.XX0	ED	38	4700	124	3000	>70	-40 ... +50
130723.5L062.XX0	ED	38	4550	120	2700	>70	-40 ... +50
130723.5L052.XX0	ED	38	4050	107	2200	>70	-40 ... +50
130723.5L122.XX0	ED	52	6500	125	4000	>70	-40 ... +50
130723.5L112.XX0	ED	52	6400	123	3000	>70	-40 ... +50
130723.5L102.XX0	ED	52	6150	118	2700	>70	-40 ... +50
130723.5L092.XX0	ED	52	5450	105	2200	>70	-40 ... +50
130723.5L162.XX0	ED	76	9850	130	4000	>70	-40 ... +50
130723.5L152.XX0	ED	76	9700	128	3000	>70	-40 ... +50
130723.5L142.XX0	ED	76	9350	123	2700	>70	-40 ... +50
130723.5L132.XX0	ED	76	8300	109	2200	>70	-40 ... +50
130723.3L042.XX0	DALI	22	2600	118	4000	>70	-40 ... +50
130723.3L032.XX0	DALI	22	2550	116	3000	>70	-40 ... +50
130723.3L022.XX0	DALI	22	2500	114	2700	>70	-40 ... +50
130723.3L012.XX0	DALI	22	2200	100	2200	>70	-40 ... +50

Luminous flux tolerance +/- 10%; power tolerance +/- 5%; colour temperature tolerance +/- 5%.

Please note that the standard luminaire is not intended for use in an environment with a high degree of salinity. If it is required to adapt the luminaire to work in such an environment, please contact our Sales Department to confirm the possibility of using an additional protective coating.

Up-to-date product info and General Warranty Terms available on our website www.luglightfactory.com

Detailed information on luminous fluxes and powers for individual indexes are indicated on the product data sheet.

The parameters in the data sheet are given for Ta=25°C.

The operating temperature ranges apply only to luminaires used in the outdoor environment.

Code	Type of equipment	Luminaire power [W]	Lumen luminaire [lm]	Efficacy [lm/W]	Colour temperature [K]	CRI/Ra	Operating temperature range [°C]
130723.3L082.XX0	DALI	38	4800	126	4000	>70	-40 ... +50
130723.3L072.XX0	DALI	38	4700	124	3000	>70	-40 ... +50
130723.3L062.XX0	DALI	38	4550	120	2700	>70	-40 ... +50
130723.3L052.XX0	DALI	38	4050	107	2200	>70	-40 ... +50
130723.3L122.XX0	DALI	52	6500	125	4000	>70	-40 ... +50
130723.3L112.XX0	DALI	52	6400	123	3000	>70	-40 ... +50
130723.3L102.XX0	DALI	52	6150	118	2700	>70	-40 ... +50
130723.3L092.XX0	DALI	52	5450	105	2200	>70	-40 ... +50
130723.3L162.XX0	DALI	76	9850	130	4000	>70	-40 ... +50
130723.3L152.XX0	DALI	76	9700	128	3000	>70	-40 ... +50
130723.3L142.XX0	DALI	76	9350	123	2700	>70	-40 ... +50
130723.3L132.XX0	DALI	76	8300	109	2200	>70	-40 ... +50
130723.7L042.XX0	ZHAGA D4i	22	2600	118	4000	>70	-40 ... +50
130723.7L032.XX0	ZHAGA D4i	22	2550	116	3000	>70	-40 ... +50
130723.7L022.XX0	ZHAGA D4i	22	2500	114	2700	>70	-40 ... +50
130723.7L012.XX0	ZHAGA D4i	22	2200	100	2200	>70	-40 ... +50
130723.7L082.XX0	ZHAGA D4i	38	4800	126	4000	>70	-40 ... +50
130723.7L072.XX0	ZHAGA D4i	38	4700	124	3000	>70	-40 ... +50
130723.7L062.XX0	ZHAGA D4i	38	4550	120	2700	>70	-40 ... +50
130723.7L052.XX0	ZHAGA D4i	38	4050	107	2200	>70	-40 ... +50
130723.7L122.XX0	ZHAGA D4i	52	6500	125	4000	>70	-40 ... +50
130723.7L112.XX0	ZHAGA D4i	52	6400	123	3000	>70	-40 ... +50
130723.7L102.XX0	ZHAGA D4i	52	6150	118	2700	>70	-40 ... +50
130723.7L092.XX0	ZHAGA D4i	52	5450	105	2200	>70	-40 ... +50
130723.7L162.XX0	ZHAGA D4i	76	9850	130	4000	>70	-40 ... +50
130723.7L152.XX0	ZHAGA D4i	76	9700	128	3000	>70	-40 ... +50
130723.7L142.XX0	ZHAGA D4i	76	9350	123	2700	>70	-40 ... +50
130723.7L132.XX0	ZHAGA D4i	76	8300	109	2200	>70	-40 ... +50
130723.3L042.XX0.987	NEMA	22	2600	118	4000	>70	-40 ... +50
130723.3L032.XX0.987	NEMA	22	2550	116	3000	>70	-40 ... +50
130723.3L022.XX0.987	NEMA	22	2500	114	2700	>70	-40 ... +50
130723.3L012.XX0.987	NEMA	22	2200	100	2200	>70	-40 ... +50
130723.3L082.XX0.987	NEMA	38	4800	126	4000	>70	-40 ... +50
130723.3L072.XX0.987	NEMA	38	4700	124	3000	>70	-40 ... +50
130723.3L062.XX0.987	NEMA	38	4550	120	2700	>70	-40 ... +50
130723.3L052.XX0.987	NEMA	38	4050	107	2200	>70	-40 ... +50
130723.3L122.XX0.987	NEMA	52	6500	125	4000	>70	-40 ... +50
130723.3L112.XX0.987	NEMA	52	6400	123	3000	>70	-40 ... +50
130723.3L102.XX0.987	NEMA	52	6150	118	2700	>70	-40 ... +50
130723.3L092.XX0.987	NEMA	52	5450	105	2200	>70	-40 ... +50
130723.3L162.XX0.987	NEMA	76	9850	130	4000	>70	-40 ... +50
130723.3L152.XX0.987	NEMA	76	9700	128	3000	>70	-40 ... +50
130723.3L142.XX0.987	NEMA	76	9350	123	2700	>70	-40 ... +50
130723.3L132.XX0.987	NEMA	76	8300	109	2200	>70	-40 ... +50

Luminous flux tolerance +/- 10%; power tolerance +/- 5%; colour temperature tolerance +/- 5%.

Please note that the standard luminaire is not intended for use in an environment with a high degree of salinity. If it is required to adapt the luminaire to work in such an environment, please contact our Sales Department to confirm the possibility of using an additional protective coating.

Up-to-date product info and General Warranty Terms available on our website www.luglightfactory.com

Detailed information on luminous fluxes and powers for individual indexes are indicated on the product data sheet.

The parameters in the data sheet are given for Ta=25°C.

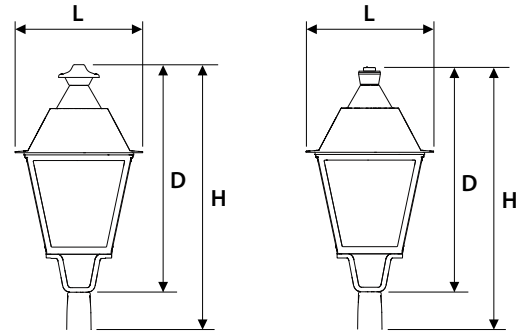
The operating temperature ranges apply only to luminaires used in the outdoor environment.

130723.5L012. 0

Type of optic

- 01 O1
- 02 O2
- 03 O3
- 04 O4
- 05 O5
- 06 O6

Code	Dimensions [mm] LHD	Quantity of luminaires per pallet	Quantity in package	Net weight [kg]
130723.5L042.XX0	400 830 715	-	-	7.8
130723.5L032.XX0	400 830 715	-	-	7.8
130723.5L022.XX0	400 830 715	-	-	7.8
130723.5L012.XX0	400 830 715	-	-	7.8
130723.5L082.XX0	400 830 715	-	-	7.8
130723.5L072.XX0	400 830 715	-	-	7.8
130723.5L062.XX0	400 830 715	-	-	7.8
130723.5L052.XX0	400 830 715	-	-	7.8
130723.5L122.XX0	400 830 715	-	-	7.8
130723.5L112.XX0	400 830 715	-	-	7.8
130723.5L102.XX0	400 830 715	-	-	7.8
130723.5L092.XX0	400 830 715	-	-	7.8
130723.5L162.XX0	400 830 715	-	-	7.8
130723.5L152.XX0	400 830 715	-	-	7.8
130723.5L142.XX0	400 830 715	-	-	7.8
130723.5L132.XX0	400 830 715	-	-	7.8
130723.3L042.XX0	400 830 715	-	-	7.8
130723.3L032.XX0	400 830 715	-	-	7.8
130723.3L022.XX0	400 830 715	-	-	7.8
130723.3L012.XX0	400 830 715	-	-	7.8
130723.3L082.XX0	400 830 715	-	-	7.8
130723.3L072.XX0	400 830 715	-	-	7.8
130723.3L062.XX0	400 830 715	-	-	7.8
130723.3L052.XX0	400 830 715	-	-	7.8
130723.3L122.XX0	400 830 715	-	-	7.8
130723.3L112.XX0	400 830 715	-	-	7.8
130723.3L102.XX0	400 830 715	-	-	7.8
130723.3L092.XX0	400 830 715	-	-	7.8
130723.3L162.XX0	400 830 715	-	-	7.8
130723.3L152.XX0	400 830 715	-	-	7.8
130723.3L142.XX0	400 830 715	-	-	7.8
130723.3L132.XX0	400 830 715	-	-	7.8
130723.7L042.XX0	400 820 705	-	-	7.8
130723.7L032.XX0	400 820 705	-	-	7.8
130723.7L022.XX0	400 820 705	-	-	7.8
130723.7L012.XX0	400 820 705	-	-	7.8
130723.7L082.XX0	400 820 705	-	-	7.8
130723.7L072.XX0	400 820 705	-	-	7.8
130723.7L062.XX0	400 820 705	-	-	7.8
130723.7L052.XX0	400 820 705	-	-	7.8
130723.7L122.XX0	400 820 705	-	-	7.8
130723.7L112.XX0	400 820 705	-	-	7.8



Luminous flux tolerance +/- 10%; power tolerance +/- 5%; colour temperature tolerance +/- 5%.

Please note that the standard luminaire is not intended for use in an environment with a high degree of salinity. If it is required to adapt the luminaire to work in such an environment, please contact our Sales Department to confirm the possibility of using an additional protective coating.

Up-to-date product info and General Warranty Terms available on our website www.luglightfactory.com

Detailed information on luminous fluxes and powers for individual indexes are indicated on the product data sheet.

The parameters in the data sheet are given for Ta=25°C.

The operating temperature ranges apply only to luminaires used in the outdoor environment.

Code	Dimensions [mm] L x H x D	Quantity of luminaires per pallet	Quantity in package	Net weight [kg]
130723.7L102.XX0	400 820 705	-	-	7.8
130723.7L092.XX0	400 820 705	-	-	7.8
130723.7L162.XX0	400 820 705	-	-	7.8
130723.7L152.XX0	400 820 705	-	-	7.8
130723.7L142.XX0	400 820 705	-	-	7.8
130723.7L132.XX0	400 820 705	-	-	7.8
130723.3L042.XX0.987	400 850 735	8	1	7.8
130723.3L032.XX0.987	400 850 735	8	1	7.8
130723.3L022.XX0.987	400 850 735	8	1	7.8
130723.3L012.XX0.987	400 850 735	8	1	7.8
130723.3L082.XX0.987	400 850 735	8	1	7.8
130723.3L072.XX0.987	400 850 735	8	1	7.8
130723.3L062.XX0.987	400 850 735	8	1	7.8
130723.3L052.XX0.987	400 850 735	8	1	7.8
130723.3L122.XX0.987	400 850 735	8	1	7.8
130723.3L112.XX0.987	400 850 735	8	1	7.8
130723.3L102.XX0.987	400 850 735	8	1	7.8
130723.3L092.XX0.987	400 850 735	8	1	7.8
130723.3L162.XX0.987	400 850 735	8	1	7.8
130723.3L152.XX0.987	400 850 735	8	1	7.8
130723.3L142.XX0.987	400 850 735	8	1	7.8
130723.3L132.XX0.987	400 850 735	8	1	7.8

OTHER PICTURES



opal glass



structured glass



transparent glass



ZHAGA D4i



ZHAGA D4i



NEMA



NEMA



eBLOC-Z



eBLOC-N

Luminous flux tolerance +/- 10%; power tolerance +/- 5%; colour temperature tolerance +/- 5%.

Please note that the standard luminaire is not intended for use in an environment with a high degree of salinity. If it is required to adapt the luminaire to work in such an environment, please contact our Sales Department to confirm the possibility of using an additional protective coating.

Up-to-date product info and General Warranty Terms available on our website www.luglightfactory.com

Detailed information on luminous fluxes and powers for individual indexes are indicated on the product data sheet.

The parameters in the data sheet are given for $T_a=25^{\circ}\text{C}$.

The operating temperature ranges apply only to luminaires used in the outdoor environment.

ACCESSORIES



■ 150173.01292 LUCERA LED mounting bracket
ø60/48mm black

■ 150173.01291 LUCERA LED mounting bracket ø76mm
black



150170.01283 LUCERA LED transparent glass (4 pcs.)



150170.01284 LUCERA LED opal glass (4 pcs.)



150170.01285 LUCERA LED structured glass (4 pcs.)



150170.01356 LUCERA LED glass lampshade black
Backshield (1 pcs.)



770020.001 eBLOC-N Controller - Thread
communication

770020.002 eBLOC-N Controller - Thread
communication + GNSS location

770020.004 eBLOC-N Controller - LTE Cat M1/2G
communication + GNSS location

770030.001 eBLOC-Z Controller - Thread
communication

770030.002 eBLOC-Z Controller - Thread
communication + GNSS location

770030.004 eBLOC-Z Controller - LTE Cat M1/2G
communication + GNSS location

790013.001 HUBloT-1 EU pole mounted

790013.002 HUBloT-1 EU surface-mounted

790013.003 HUBloT-1 EU Ethernet pole mounted

790013.004 HUBloT-1 EU Ethernet surface-mounted

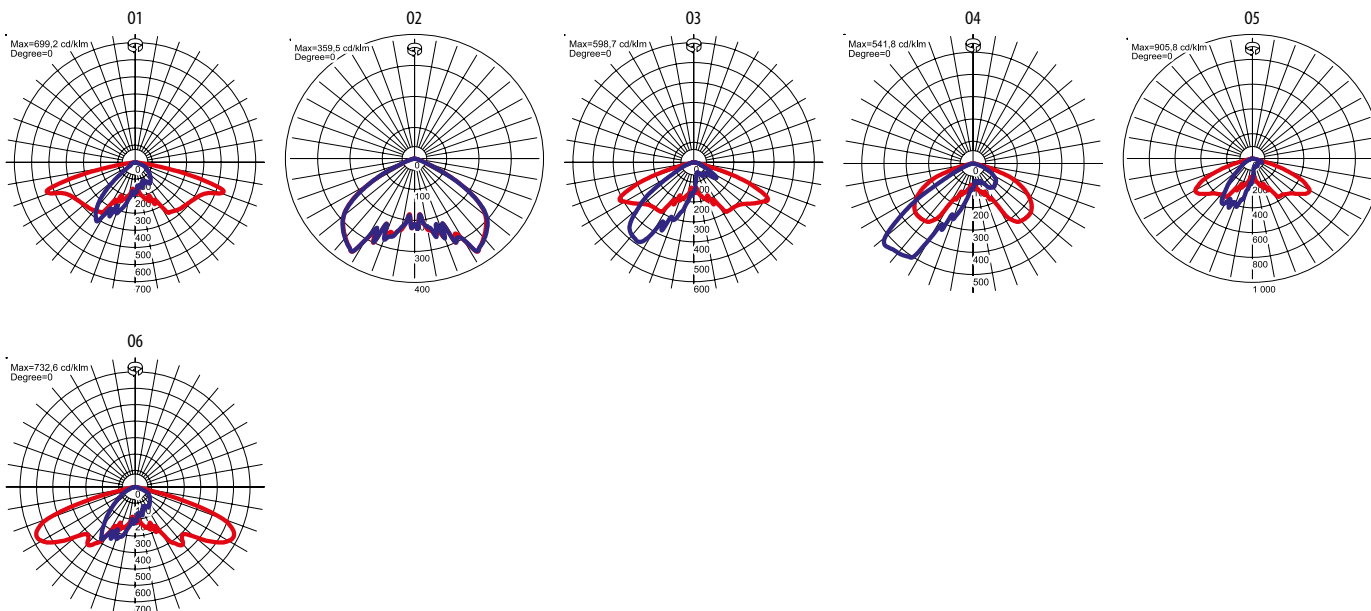
790013.101 HUBloT-1 Global pole mounted

790013.102 HUBloT-1 Global surface-mounted

790013.103 HUBloT-1 Global Ethernet pole mounted

790013.104 HUBloT-1 Global Ethernet
surface-mounted

LIGHT BEAM CURVES



WAY OF LIGHTING

01

02

03

04

05

Luminous flux tolerance +/- 10%; power tolerance +/- 5%; colour temperature tolerance +/- 5%.

Please note that the standard luminaire is not intended for use in an environment with a high degree of salinity. If it is required to adapt the luminaire to work in such an environment, please contact our Sales Department to confirm the possibility of using an additional protective coating.

Up-to-date product info and General Warranty Terms available on our website www.luglightfactory.com

Detailed information on luminous fluxes and powers for individual indexes are indicated on the product data sheet.

The parameters in the data sheet are given for $T_a=25^{\circ}\text{C}$.

The operating temperature ranges apply only to luminaires used in the outdoor environment.



06



Luminous flux tolerance +/- 10%; power tolerance +/- 5%; colour temperature tolerance +/- 5%.

Please note that the standard luminaire is not intended for use in an environment with a high degree of salinity. If it is required to adapt the luminaire to work in such an environment, please contact our Sales Department to confirm the possibility of using an additional protective coating.

Up-to-date product info and General Warranty Terms available on our website www.luglightfactory.com

Detailed information on luminous fluxes and powers for individual indexes are indicated on the product data sheet.

The parameters in the data sheet are given for $T_a=25^{\circ}\text{C}$.

The operating temperature ranges apply only to luminaires used in the outdoor environment.